



Product Data Sheet

PULSE

Waist Height Automatic Frameless Gate PS-PBTS-SM Frameless

The PULSE Frameless Gate system provides controlled touchless unassisted opening access into supermarkets, reception areas, commercial building, health clubs or public buildings

Incorporating a BLDC motor drive technology and suited for indoor application the PULSE will open an dlcose automatically on approach

Supplied in Stainless Steel, frameless toughened glass and open 180 degrees

PULSE Frameless Gate System

- Designed by professional engineers
- Cutting edge motor drive technology
- 12 month guarantee

RELIABLE TECHNOLOGY

- Ultra reliable BLDC motor drive with planetary gearbox
- Tooth clutch for effective locking

DURABLE FEATURES

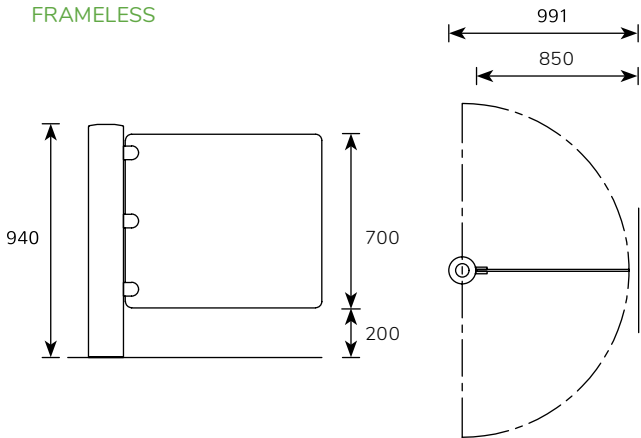
- **UPRIGHT POST** | 140mm diameter 304 grade brushed stainless steel
- **WING OPTIONS** | 8mm CNC toughened glass
| 38mm diameter stainless steel frame with 25mm diameter horizontals

TECHNICAL SPECIFICATIONS

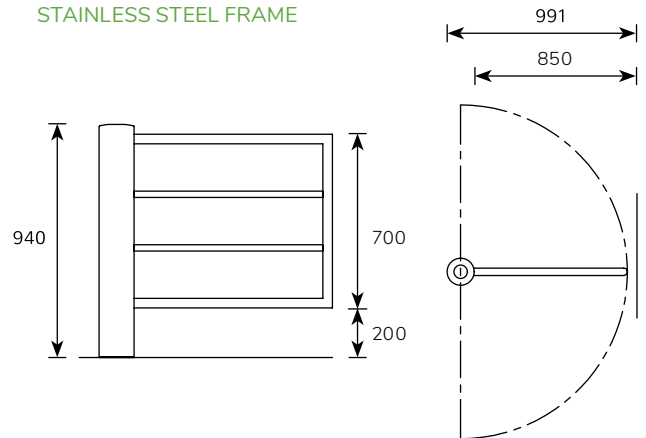
POWER	100V - 240V AC ±10% at 50Hz
OPERATING VOLTAGE	24 Volt DC
COLLISION DETECTION	Current sensing
POWER FAILURE OPERATION	The glass wing can be easily be turned by hand
FIRE ALARM OPERATION	Trigger allows automatic opening in desired direction
SYSTEMS INTEGRATION	Integrates with all access control and time & attendance systems
CONTROL UNIT AND PSU	Supplied in gate upright post (no separate box)
TRIGGER OPTIONS	Trigger to open - timeout to close (15 seconds) Trigger to open - trigger to close

PULSE AUTOMATIC GATE RANGE

FRAMELESS



STAINLESS STEEL FRAME



© Turnstar Systems

compliments other Pedestrian access System and glass railing requirements

