



## Product Data Sheet

# TRIDENT- Supermarket

Waist Height Single Turnstile  
PS-PBTS-SM Tripod

The Trident waist height supermarket turnstile has been designed for high speed and with ultra quiet applications.

It is provided with a 10 year mechanical warranty and suitable for both a prestige requirements and an industrial application.

Suited for both internal and external application the TRIDENT is available in a single and double configuration

## ROTALOK® ROTATION LOCKING MECHANISM

- Fitted to all TRIDENT turnstiles
- Ultra heavy-duty electromechanical rotation locking mechanism
- Bi-directional operation
- Designed by professional engineers
- Tried, tested and perfected over a period of over 20 years

## RELIABLE TECHNOLOGY

- Self-centering rotation system - rotor returns to starting position after every rotation
- Anti-Trap® safety system - no mid-rotation locking or trapping in the event of a power failure
- Extra secure 60° anti-reverse system
- Programmable PLC logic with user diagnostic features
- Mechanical key override - clockwise and anti-clockwise directions (fail-secure)

## DURABLE FEATURES

- Zinc plated for corrosion resistance
- Ultra quiet, buffered solenoids and pawls
- Solenoids rated for 100% duty cycle
- Case hardened locking disk and pawls - eliminating any wear
- Factory settings need no further adjustment
- No routine maintenance whatsoever, ever

## GUARANTEED MANUFACTURED TO LAST

- 10 year mechanical guarantee
- 1 year electrical guarantee

## ROTALOK® ROTATION LOCKING MECHANISM

- With a wide range of applications, the TRIDENT is becoming one of the highest selling waist height turnstile in the world
- Suitable for both prestige and industrial installations
- Designed for high speed ultra quiet operation
- Exported worldwide

## TECHNICAL SPECIFICATIONS

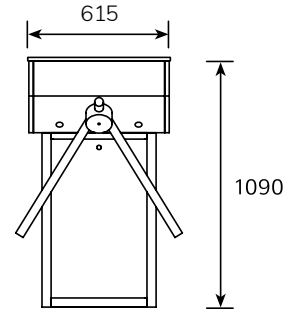
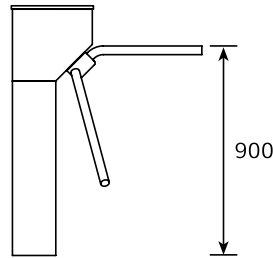
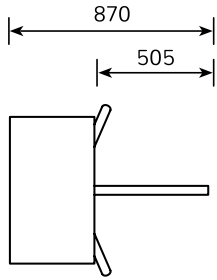
POWER	220 Volt AC (110 Volt AC on request)
FREQUENCY	50Hz
POWER CONSUMPTION	50W (single turnstile   100W (double turnstile)
SOLENOID VOLTAGE	24 Volt DC (12 Volt DC on request)
LOGIC VOLTAGE	24 Volt DC
DIMENSIONS	See overleaf
ROTOR ARMS	38mm diameter stainless steel fixed tube arms
WEIGHT	Single   68kg Double   114kg
DESIGN	Modular bolt-together design for ease of transport and installation. Components can pass through a standard door. Can be packed in broken-down form either onto a pallet or into a crate for transport
SYSTEMS INTEGRATION	<ul style="list-style-type: none"> <li>• Integrates with all access control and time and attendance systems</li> <li>• Unlocking for entry / exit rotation controlled through normally open dry contact</li> <li>• Transaction / rotation complete output</li> <li>• Integral wireways with draw wires in place - no exposed wires</li> </ul>

## MANUFACTURING OPTIONS

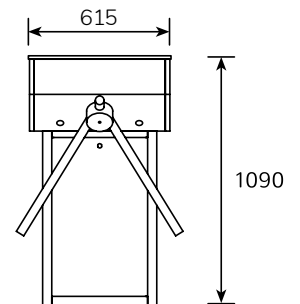
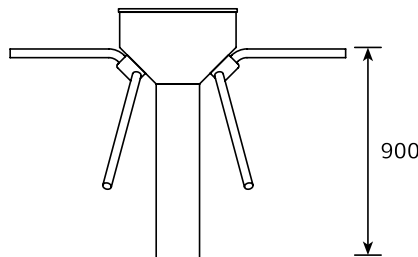
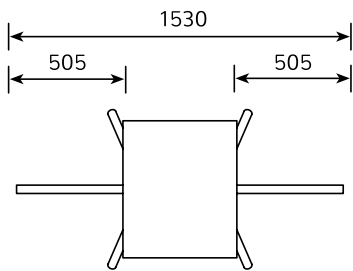
ROTATION OPTIONS	<ul style="list-style-type: none"> <li>• Electrically controlled bi-directional rotation (factory standard)</li> <li>• Mechanically controlled uni-directional rotation by means of key override</li> <li>• Free rotation</li> </ul>
LOCKING OPTIONS	<ul style="list-style-type: none"> <li>• Fail-secure auto-lock on power failure (factory standard)</li> <li>• Fail-safe auto-unlock on power failure</li> <li>• Each direction of rotation configurable for either fail-secure or fail-safe operation</li> </ul>
FIRE ALARM OPTIONS	Free rotation when triggered indefinitely (logic programmed for direction or rotation on request)
POWER OPTIONS	<p>Battery backup with two 12 volt 7Ah batteries connected in series</p> <ul style="list-style-type: none"> <li>• Up to 1 000 transactions in fail-safe mode</li> <li>• Up to 60 minutes operation in fail-safe mode</li> </ul>
ACCESSORY OPTIONS	<ul style="list-style-type: none"> <li>• 600mm stainless steel and glass turnstile screen</li> <li>• Single / double pushbutton in plastic housing</li> <li>• LED red cross and green arrow indicator light</li> <li>• Multiple coin acceptor for pay-for-entry systems</li> <li>• LCD transaction counter with reset key switch</li> <li>• Random search device</li> </ul>
CABINET FINISH OPTIONS	<ul style="list-style-type: none"> <li>• Mild steel with UV resistant polyester exterior powder coat finish (charcoal blue hammertone) ■</li> <li>• 304 grade brushed stainless steel</li> <li>• 316 grade brushed stainless steel ▲</li> </ul> <p>▲ suitable for corrosive environments (details available on request) ■ other colours available on request</p>
CABINET FINISH OPTIONS	<ul style="list-style-type: none"> <li>• Rustenburg granite top cover</li> <li>• Stainless steel top cover</li> </ul>

# TRIDENT WAIST HEIGHT TURNSTILE RANGE

## TRIDENT SINGLE



## TRIDENT DOUBLE



© Parcsafe

## STAR QUALITIES



- 1 Rotalok® rotation locking mechanism and electronic control panel
  - Incorporates:
    - Rotaslo® hydraulic damping
    - Mechanical key override (for free rotation)
- 2 Lockable granite or stainless steel top cover
- 3 Lockable side door
- 4 38mm diameter stainless steel fixed tube arms
- 5 Access control reader mounting position
- 6 Wiring bottom entry point
- 7 Floor bolting positions

