



Product Data Sheet

TRIPOD - UNO / DUO

Waist Height Single Turnstile
PS-PBDC-SU / PS-PBDC-DU Tripod

The Tripod turnstile is available in either a single sided unit or double sided.

Mechanically motorised the Tripod Uno & Duo comes with three arms, smooth passage and total safety through anti-panic device and automatic reset. It is mounted with a special design motor mechanism and has orientation pictograms in high brightness RGB LEDs.

UNIQUE FEATURES FOR TRIPOD - UNO / DUO

	<ul style="list-style-type: none"> • It has rounded corners and no exposed screws, preventing accidents in the passage.
	<ul style="list-style-type: none"> • Internal space protected by a secret key that allows easy integration with the most varied access control solutions.
	<ul style="list-style-type: none"> • Control of rotation locks through optical sensors and electromagnet locking, which generate less mechanical wear and longer product life.
	<ul style="list-style-type: none"> • Motorized slewing mechanism following the user's movement.
	<ul style="list-style-type: none"> • Support for fixing the integration boards, enabling easy maintenance.
	<ul style="list-style-type: none"> • Top pictogram indicating permission and access direction.
	<ul style="list-style-type: none"> • Side pictograms to indicate the access direction.
	<ul style="list-style-type: none"> • Mechanism housing with two bearings, increasing service life.
	<ul style="list-style-type: none"> • Finished in carbon steel with epoxy powder paint or in brushed stainless steel AISI 304.
	<ul style="list-style-type: none"> • Anti-panic device that disarms the equipment arm, freeing the passage of users and rearms through automatic arm command.
	<ul style="list-style-type: none"> • Top glass with ABS edges for fixing the readers.
	<ul style="list-style-type: none"> • Permission and direction pictograms manufacturing on high-brightness RGB LEDs.

Access controller that combines design, technology and security. Its main feature is the motorised swivel making it smooth, comfortable and silent.

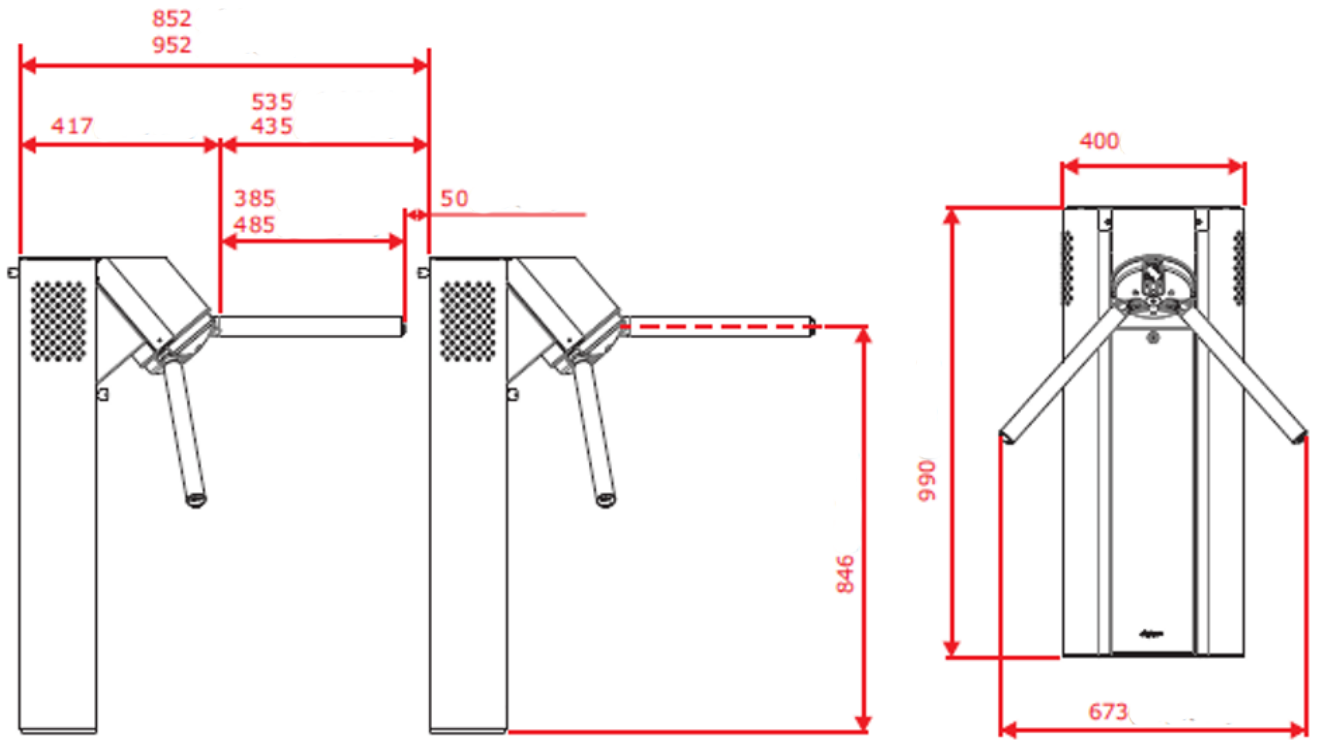
TECHNICAL SPECIFICATIONS

POWER	240 Volt AC
FREQUENCY	50Hz
POWER CONSUMPTION	36W (single turnstile 72W (double turnstile)
SOLENOID VOLTAGE	24 Volt DC
LOGIC VOLTAGE	24 Volt DC
DIMENSIONS	See overleaf
ROTOR ARMS	38mm diameter stainless steel fixed tube arms
WEIGHT	Single: 35kg Double: 70kg
DESIGN	Modular bolt-together design for ease of transport and installation. Components can pass through a standard door. Can be packed in broken-down form either onto a pallet or into a crate for transport
SYSTEMS INTEGRATION	<ul style="list-style-type: none"> • Integrates with all access control and time and attendance systems • Unlocking for entry / exit rotation controlled through normally open dry contact • Transaction / rotation complete output • Integral wireways with draw wires in place - no exposed wires

OPTION	CONTROL OPTIONS
Side support for fixing barcode or magnetic card readers. <ul style="list-style-type: none"> • Card collector safe. 	MCA model access controller card – TCP/IP. <ul style="list-style-type: none"> • Bar code reader with slot for passing the badge. • Multi-beam barcode scanner – ticket approach. • 2D code reader (two-dimensional). • Wiegand/Abatrack proximity reader – HID/Indala/Acura. • Mifare Reader. • Biometric reader.



TRIPOD UNO DIMENSIONS



TRIPOD DUO DIMENSIONS

Catrax Go DUO

