



## Product Data Sheet

# PARCSAFE CHAIN BARRIER

PS-CB-2-20

Parcsafe Chain Barrier is the automatic chain controlled via smartphone.

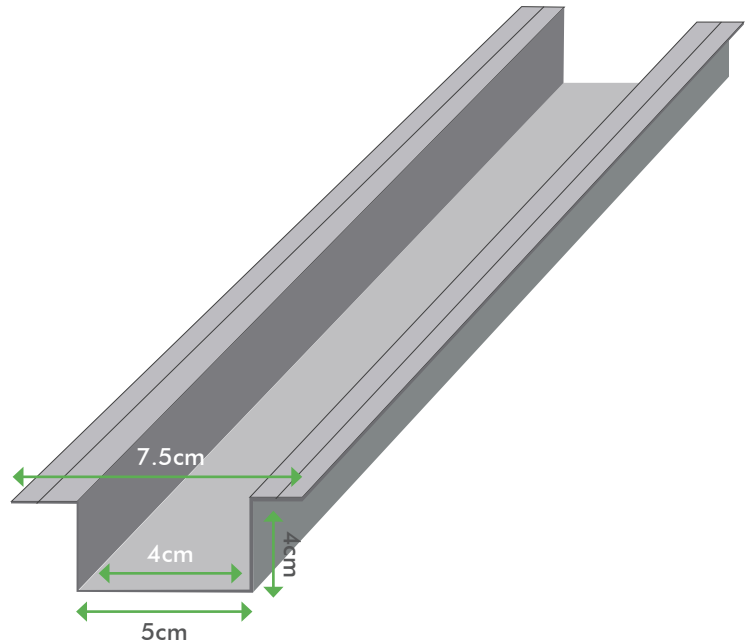
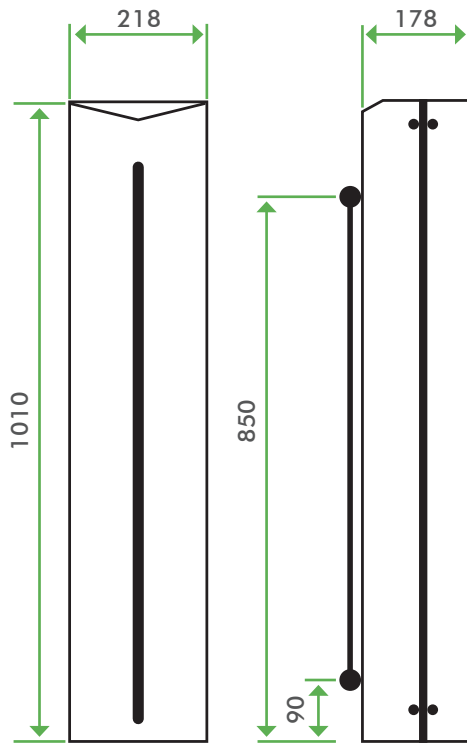
Our smart parking chain is an ideal solution for the protection of wider entrances and areas. It can cover access points up to 20 meters wide. The design of the barrier complies with the most different architectural contexts, it is created to provide people with reliable parking protection and to help them become in charge of their wide parking areas. The system includes two bases and a resistant, steel chain. The chain rises or lowers to allow or prevent access to vehicles or pedestrians in limited areas.

### UNIQUE FEATURES FOR PARCSAFE CHAIN BARRIER

CONTROL	Smartphone controlled, operated via a free app (Android & iOS)
	Sharing a temporary digital key for visitors
	Auto-close option upon departure of the vehicle
	Up to 20m passage width
	Guaranteed safety, obstacle detection
	High usage factor
	Option for battery backup
	Weather resistant
	Possibility of integration with other systems

### TECHNICAL SPECIFICATIONS

POWER SUPPLY	230 Vac / 50 Hz
POWER CONSUMED	170 W
ABSORBED CURRENT	5,5 A
MOTOR VOLTAGE	24 Vdc
OPENING TIME	10 s
LOCK	Yes
LIMIT SWITCHES	No
ENCODER	Yes
DUTY CYCLE	Intensive use
PROTECTION LEVEL	IP 34
OPERATING TEMPERATURE	-20 °C - +60 °C
MOTOR WEIGHT	46 kg
PACKAGING DIMENSIONS	25 cm x 22 cm x 108 cm
CHAIN MAXIMUM LENGTH	20 m
LENGTH OF THE CHAIN (M)	4, 6, 8, 10, 12, 14, 16, 18, 20
RELATIVE HEIGHT IN THE MIDDLE (CM)	75, 70, 65, 60, 55, 50, 45, 40, 35



Dimensions of the column

## REMOTE CONTROL WITH PARCSAFE PARKING BRAIN

FREQUENCY RANGE	2400 MHz - 2500 MHz
V.S.W.R.	1.5:1
BANDWIDTH	100 MHz
POLARIZATION	Vertical
RADIATION	Omni directional
IMPEDANCE	50 Ω
MAX WIND SPEED	200 km/h
SIZE	Ø80 mm × 14 mm
WORKING TEMPERATURE	-40 °C - +85 °C
INGRESS PROTECTION CODE	IP 67



Smartphone controlled



Back-up battery



Resistant mechanism



The system includes two bases and a resistant, steel chain.